

Developed in collaboration with

**ASSOC. PROF. AL-FOUZAN**  
**HU-FRIEDY KEY OPINION LEADERS**

ENDODONTIC MICROSURGICAL KIT

**Hu-Friedy**

How the best perform



## HU-FRIEDY KEY OPINION LEADERS

### ASSOC. PROF. KHALID S. AL-FOUZAN



Khalid S. Al-Fouzan, is an Associate Professor and the Associate Dean of Academic Affairs, at King Saud Bin Abdulaziz University, College of Dentistry, since december 5, 2010.

Founder and the past President of the Saudi Endodontic Society from april 2010 to april 2013. Member of the Saudi Board in Endodontic for Health Specialties, Scientific Committee, since march 2005.

Director of the Endodontic Board for Health Specialities in KADC-KAMC, NGH, since 2007 and the Division Head, Endodontics, KADC-KAMC, NGH, from april 2004 - november 2013.

AP Al-Fouzan is a diplomat of the American Board of Endodontics, since 2002. AP Al-Fouzan got his certificate in Endodontics from University of Southern California, in july 1998 and a Master in Dental Education from the same school in may 1997. AP Al-Fouzan got his undergraduate training from King Saud University in june 1992 and he is the author of several publications on most appreciated clinical journals.

## ENDODONTIC MICROSURGICAL KIT



### FEATURES AND BENEFITS

The field of endodontics has vastly improved in technology and techniques over the past years, where surgical methodologies and performances changed dramatically. The gap between biological concepts and the ability to achieve consistently successful clinical results has been strongly reduced thanks to the use of state-of-the-art instruments, new and improved materials, operations performed through surgical microscopes. The practice of these techniques is now known as endodontic microsurgery.

An inherent preconceived risk with traditional endodontic surgery was a potential damage to major vessels or nerve bundles. Because of excessive osteotomies and steep beveling of root surfaces, unnecessary damage to cortical bone and unfavorable crown/root ratios of existing teeth were the results. These potential problems have been overcome with the use of surgical operating microscopes and refined microsurgical instruments. The root apices can now be more easily located, smaller osteotomies are made,

and shallower apicoectomies are done. These apices can then be properly filled with root-end filling materials that are both biocompatible and have osteogenic potential. Keeping this in mind, AP Al-Fouzan Endodontic Microsurgical kit contains selected and appropriately designed instruments for Microsurgical Endodontic procedure which have attempted to provide a **greater ergonomic flexibility** and **more efficient placement of root end fillings**.

Assoc. Prof. Khalid S. Al-Fouzan





# ENDODONTIC MICROSURGICAL KIT MICROSURGICAL ELEVATION INSTRUMENTS

# MICROSURGICAL CURETTAGE INSTRUMENTS

## MICROSURGICAL PERIOSTEAL ELEVATORS

## MICROSURGICAL CURETTES



**MPAF1**

• .8 mm

Two bends special designed small oval shaped periosteal elevator with reduced working ends, allowing the instrument to reach difficult areas, particularly indicated for elevation of interdental papilla in the interproximal areas without traumatizing the tissues during flap elevation.



① **MPAF2**  
② **MPAF3**

• 1.15 mm • 1.35 mm

Two bends periosteal instrument elevators with medium and large oval shaped ends, enabling delicate periosteal tissue retraction and better control over the instruments.



①

• 1.0 mm



②

• 1.2 mm

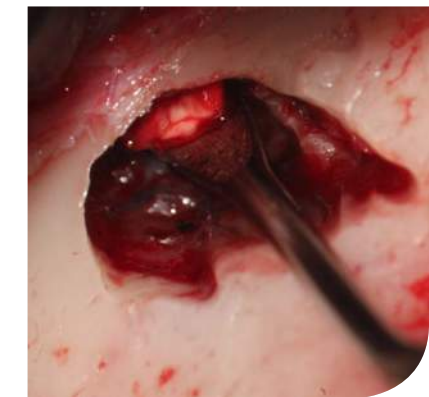


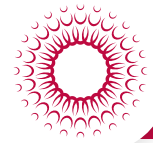
③

• 1.4 mm

① **MCAF1**  
② **MCAF2**  
③ **MCAF3**

Three angulated currettes useful for curettage of granulosomatous tissue, cyst removal and debridement of surfaces difficult to reach. Furthermore, they can decorticalize the defect bone walls exposing the narrow cavities, improving the osteogenic potential of the defect.



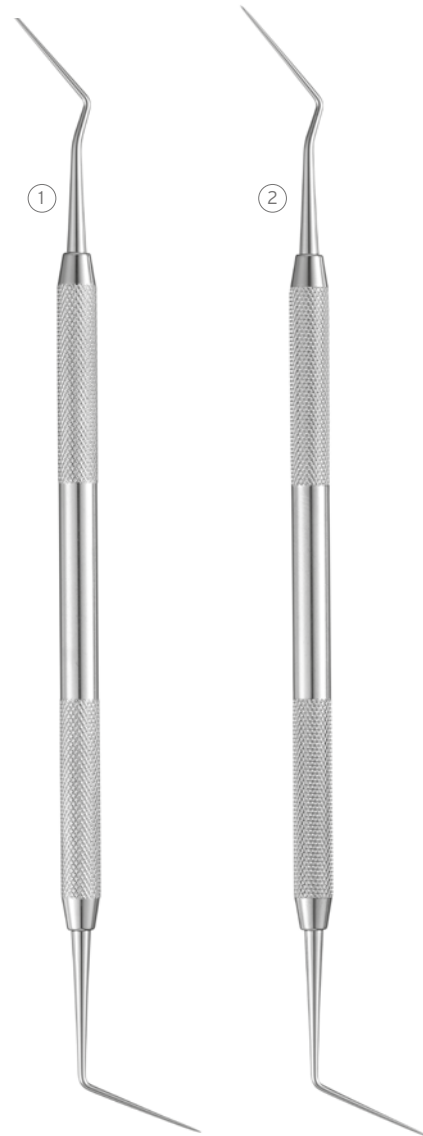


# ENDODONTIC MICROSURGICAL KIT MICROSURGICAL EXAMINATION AND INSPECTION INSTRUMENTS

# MICROSURGICAL EXAMINATION AND INSPECTION INSTRUMENTS

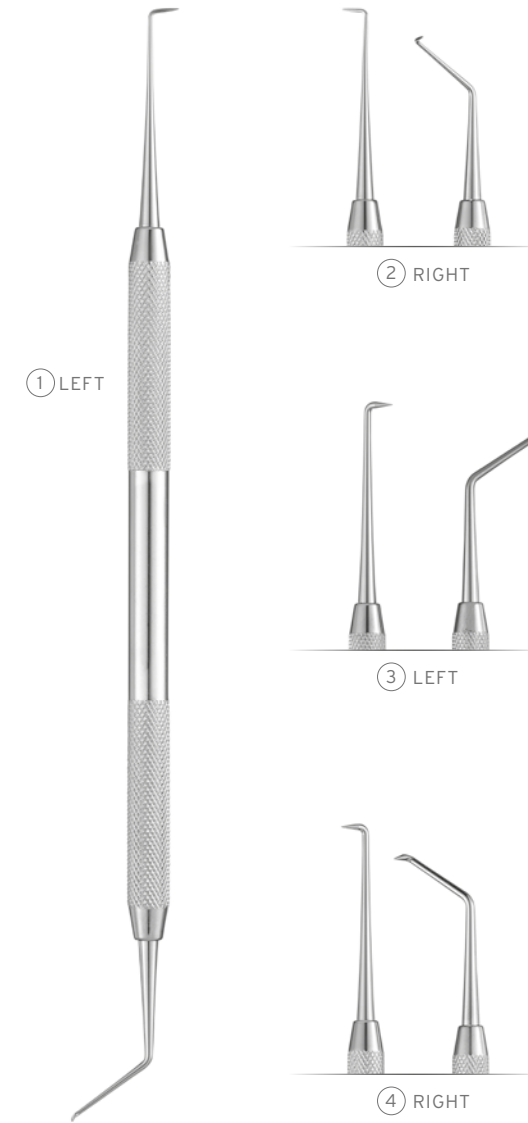
## ENDODONTIC EXPLORERS

## MICROSURGICAL RETROGRADE ENDODONTIC EXPLORERS



- ① EXAF1
- ② EXAF2

Special designed endodontic explorer comes in two different sizes and a thick shaft to minimize bending of the instrument under pressure providing optimal tip performances. It also comes with sharp tips which improves sounding of the bone and helps in perforating through the lesions, it can also be used for canal orifice detection during conventional root canal treatment.



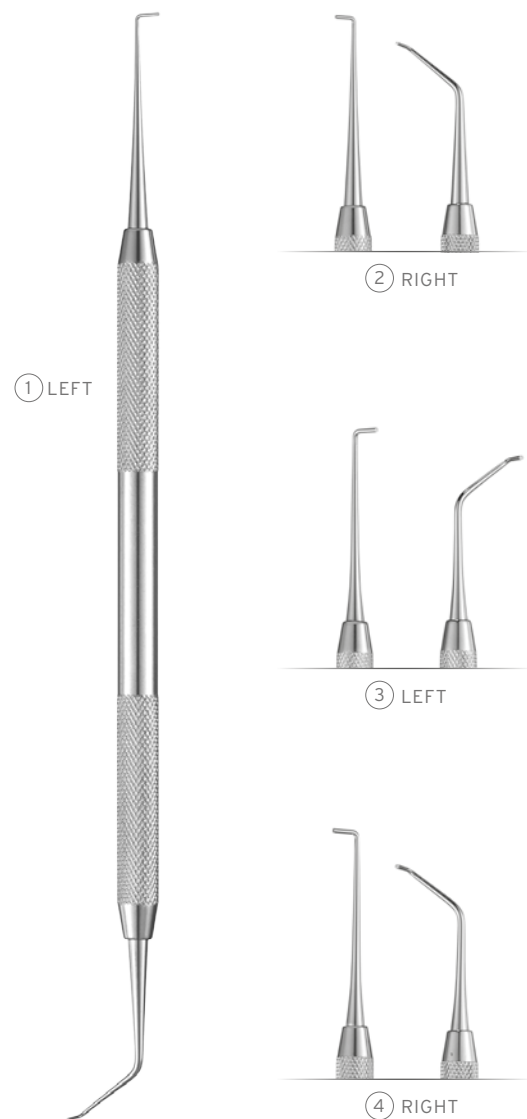
- ① MEXAF1L
- ② MEXAF1R
- ③ MEXAF2L
- ④ MEXAF2R

Sharp 90° angled retrograde endodontic explorer which comes in two different sizes, enabling the reach of difficult retrograde surfaces. It improves detection of the retrograde canal orifice and provides optimal ultrasonic tip performances.



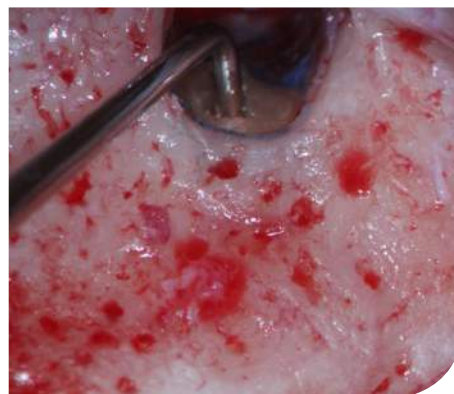


## ENDODONTIC MICROSURGICAL KIT MICROSURGICAL RETROGRADE PLUGGERS

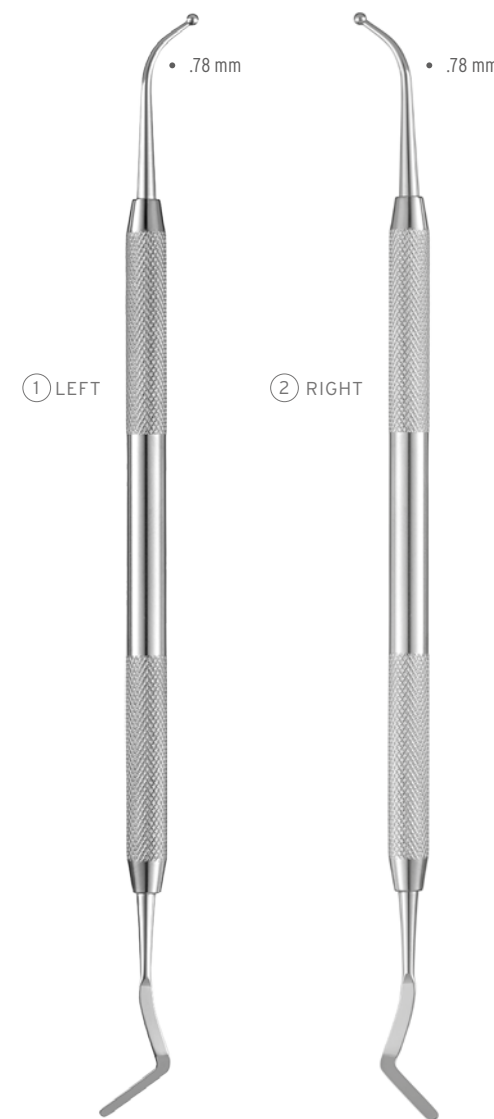


- ① MPLGAF1L
- ② MPLGAF1R
- ③ MPLGAF2L
- ④ MPLGAF2R

Special designed double ended small and medium retrograde pluggers with one angulated tip useful to reach difficult orifices. Straight ends are used for direct access orifices retrofill condensation.



## MICROSURGICAL RETROGRADE BURNISHERS



- ① MBPFIAFL
- ② MBPFIAFR

Double ended off set-angled instrument with flat end allowing easy adaptability of the retrograde filling material, providing increased access and better visibility, with a spherical round end for burnishing retrograde material in place.







## ENDODONTIC MICROSURGICAL KIT THE KIT

### HU-FRIEDY IS PROUD TO INTRODUCE YOU THE COMPLETE KIT FOR SIMPLIFIED ENDODONTIC MICROSURGICAL PROCEDURES

#### PRODUCT

PRODUCT	CODE
Al-Fouzan Periosteal Elevator Microsurgical No. 1	<b>MPAF1</b>
Al-Fouzan Periosteal Elevator Microsurgical No. 2	<b>MPAF2</b>
Al-Fouzan Periosteal Elevator Microsurgical No. 3	<b>MPAF3</b>
Al-Fouzan Curette Microsurgical No. 1	<b>MCAF1</b>
Al-Fouzan Curette Microsurgical No. 2	<b>MCAF2</b>
Al-Fouzan Curette Microsurgical No. 3	<b>MCAF3</b>
Al-Fouzan Explorer Endo No. 1	<b>EXAF1</b>
Al-Fouzan Explorer Endo No. 2	<b>EXAF2</b>
Al-Fouzan Explorer Endo Microsurgical No. 1, right	<b>MEXAF1R</b>
Al-Fouzan Explorer Endo Microsurgical No. 1, left	<b>MEXAF1L</b>
Al-Fouzan Explorer Endo Microsurgical No. 2, right	<b>MEXAF2R</b>
Al-Fouzan Explorer Endo Microsurgical No.2, left	<b>MEXAF2L</b>
Al-Fouzan Plugger Microsurgical No. 1, right	<b>MPLGAF1R</b>
Al-Fouzan Plugger Microsurgical No. 1, left	<b>MPLGAF1L</b>
Al-Fouzan Plugger Microsurgical No. 2, right	<b>MPLGAF2R</b>
Al-Fouzan Plugger Microsurgical No. 2, left	<b>MPLGAF2L</b>
Al-Fouzan Burnisher Microsurgical, right	<b>MBPFIAFR</b>
Al-Fouzan Burnisher Microsurgical, left	<b>MBPFIAFL</b>
Tweezers No. 3	<b>DP3</b>
High Definition CS Mirror No. 5 single-sided, Cone socket, 1pc/pack	<b>MIR5HD</b>
Mirror Handle No. 24 US-Thread	<b>MH24</b>
Probe UNC No. UNC12 handle No. 6 Qulix 1-2-3....12	<b>PCPUNC126</b>
Tissue Pliers Endo No. 1 with lock	<b>EPL1</b>
Curette Gracey Labriola-Cortellini No. 7/8 handle No. 9	<b>SG7/89LC</b>
Cheek Retractor Urban	<b>CRURBAN</b>
Needle Holder Crile-Wood, grooved, 3-0 - 6-0, 15 cm	<b>NHCW</b>
Tissue Pliers Adson No.42 PermaSharp surgical 1 x 2-straight 12 cm	<b>TP5042</b>
Scissors Wagner No.5 straight serrated 11,5 cm	<b>S5</b>
Tissue Pliers Adson12cm surgical 1 x 2-straight	<b>TPMSA</b>
Scalpel Handle No. 5E, European handle	<b>10-130-05E</b>
IMS Endo Stand, hinged, double-lid stand holds endodontic files and reamers (up to 48)	<b>IMS-1275D</b>
IMS Infinity DIN Surgical cassette for 18 instruments with an accessory area + 4 clips (2 x I1000) for hinged instruments (2 x IMEDIN18_S)	<b>IMEDIN18_S</b>



## INSTRUMENT MANAGEMENT SYSTEM

By standardising your instruments with IMS, additional time and revenue is generated while extending the useful life of your Hu-Friedy instruments.











Dental professionals state that by implementing IMS, they save 5 to 10 minutes per procedure allowing the staff to spend more time on value-added activities.

In addition, safer transportation of soiled instruments reduces risk of injury and exposure to blood borne pathogens.

#### IMEDIN18\_S

IMS Infinity DIN Surgical cassette for 18 instruments with an accessory area + 4 clips (2 x I1000) for hinged instruments. The kit includes 2 IMS Infinity DIN Surgical cassettes.

#### CASSETTE IS AVAILABLE WITH DIFFERENT COLOURED SILICONE RAILS

Red		<b>IMEDIN180S</b>
Grey		<b>IMEDIN181S</b>
White		<b>IMEDIN182S</b>
Orange		<b>IMEDIN183S</b>
Purple		<b>IMEDIN184S</b>
Yellow		<b>IMEDIN185S</b>
Lavender		<b>IMEDIN186S</b>
Black		<b>IMEDIN187S</b>
Blue		<b>IMEDIN188S</b>
Green		<b>IMEDIN189S</b>
Ocean Blue		<b>IMEDN1811S</b>



**Hu-Friedy**

For more information about  
Hu-Friedy's Total Solutions visit  
**HU-FRIEDY.EU**

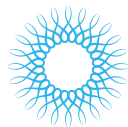
PERIODONTAL



RESTORATIVE



ORTHODONTIC



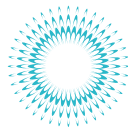
INSTRUMENT  
MANAGEMENT



ENDODONTIC



SURGICAL



ULTRASONIC  
SCALING



Manufacturer: Hu-Friedy Mfg. Co., LLC | 3232 N. Rockwell Street | Chicago, IL 60618 | USA  
Customer Care Department: Hu-Friedy Mfg. Co., LLC.  
Free Call +800 HUFRIEDY (00800 48 37 43 39) | Free Fax 00800 48 37 43 40  
E-Mail: [info@hu-friedy.eu](mailto:info@hu-friedy.eu) | Website: [Hu-Friedy.eu](http://Hu-Friedy.eu)

©2017 Hu-Friedy Mfg. Co., LLC. All rights reserved. The contents of this Product Catalog & Reference Guide including, but not limited to, all text, photographs and graphics, are the sole and exclusive property of Hu-Friedy Mfg. Co., LLC and may not be copied, reproduced or distributed without prior written permission.  
Hu-Friedy Mfg. Co., LLC. reserves the right to change features of products, images and text at any time without notice. N2354-EN/0217

**Hu-Friedy**<sup>®</sup>

How the best perform